



## Supratec HP 2200 Ultra-filtration Membrane Cassette

With Hollow Fiber Membrane - PVDF

### Product Data Sheet

#### Features

The Supratec HP 2200 pressurized Ultra-filtration Membrane module is a new design of hollow fiber membranes. Supratec Membrane group manufactures this membrane product with more than 40 years of experience in the field of water and wastewater treatment and more than 20 years of knowhow in membrane manufacturing.

This product is made of proprietary polyvinylidene fluoride (PVDF) ultra-filtration membrane with a nominal pore size of 0.03  $\mu\text{m}$ . This high-flux membrane is used for removal of macro-molecules, concentration of organic solutes, microbial and particle removal and water and wastewater treatment. This product is made of strong and durable hollow fibers without any breakage and is available in different configurations and designs and may be customized to meet customer requirements. Features include:

- **Very High Flux**

The HP 2200 membrane used in Supratec module has exceptionally high sustainable fluxes requiring less square meter than other competitors.

- **Applicable to Wide Range of Feed Water Quality**

The HP 2200 Membrane Cassette utilizes a very tolerant membrane and a robust product design that allows using it for a wide range of applications and variable feed water quality.

- **Easy to Clean**

Supratec hollow fiber product is manufactured with proprietary hydrophilic PVDF membranes with anti-fouling characteristics. This membrane is stable, flexible, and easy to clean. The special patented aeration system makes the HP 2200 easy to clean with lowest energy consumption in high solid applications.

#### Product Specifications

<b>Model</b>	<b>Supratec HP 2200 Pressurized Ultra-filtration Membrane Module</b>
<b>Membrane surface properties</b>	Non-ionic and hydrophilic
<b>Membrane type</b>	Proprietary PVDF
<b>Membrane permeability(Clean water)</b>	1,500 l/mh/bar
<b>Nominal membrane pore size</b>	0.03 $\mu\text{m}$



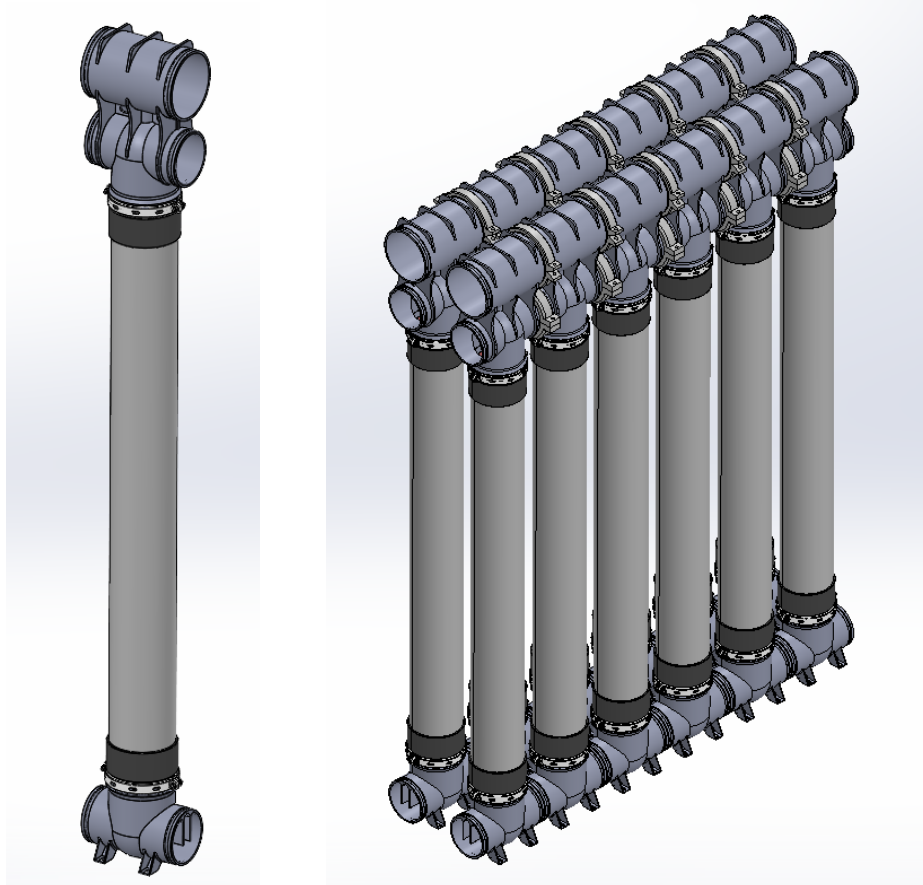


**Design  
Information**

<b>Membrane area per module</b>	73 m <sup>2</sup>
<b>Number of modules</b>	up to 12pcs(can be changed according to requirement) per row
<b>Solid tolerance</b>	1500 mg/l
<b>Dimension</b>	936*830*2600mm
<b>Back flushable</b>	Yes
<b>Maximum Pressure (water):</b>	3.0 bar @ 40° C) or less
<b>Maximum operation Transmembrane Pressure:</b>	1 bar
<b>Maximum Backpulse Transmembrane pressure</b>	0.6 bar
<b>Maximum Air Scour Rate per module:</b>	16 Nm <sup>3</sup> /hr
<b>Typical operation Air Scour Rate per module:</b>	12 Nm <sup>3</sup> /hr
<b>Flux rate (MBR application)</b>	30 –90 l/m <sup>2</sup> ·h
<b>Support</b>	PET
<b>Dry Module Weight</b>	60 kg

**Figure 1**

Structure and Dimension of Supratec HP2200 Pressurized UF Membrane module/rack





**Operating Specifications**

<b>Maximum operating temperature</b>	40°C (104 °F)
<b>Typical operating pressure (water)</b>	200 – 500 mbar
<b>Cleaning pH Range</b>	2.0 – 11.0
<b>Cleaning period</b>	1 or 2 times/year
<b>Max Chlorine Tolerance</b>	Up to 1,500 ppm as NaClO
<b>Lifetime Chlorine Tolerance</b>	1000,000 ppm.hr as NaClO
<b>Operating Chlorine Tolerance</b>	< 2 ppm

**Notes**

Permeate connection diameter is inner diameter.  
Shipping weight depends on packing material and quantity shipped.  
Product Options: Standard is grounding mounted with feet, suspension and lifting is optional;

**Storage and Protection**

Supratec UF Membrane Cassette should be stored in proper environment. Once the modules come in contact with water or put in use, they should never be stored dry. Typically for long-term shutdown (>7 days), the modules should be cleaned and immersed in proper solution. All cleaning, storage and operational procedures should be based on actual O&M manual provided by Supratec.

**Service and Technical Support**

Supratec provides a full range of products of different sizes. The design information provided is for the most common product and Supratec should be consulted for other sizes and requirements. Supratec has an experienced team available to answer questions and provide reasonable technical support.

**For more information:**

Germany: +49 (0) 6761 967538-10  
China: +86 (0) 21 31169858  
France: +33 (0) 172879790  
Netherlands: +31 (0) 416 348090  
Hungary: +36 304911474  
America: HMT Technologies Inc.: +1 4168343099

Notice: No freedom from infringement of any patent owned by Supratec Membrane Group or an affiliated company is to be inferred. The information and data contained in this document are based on our general experience and are believed to be accurate and reliable. But this information does not imply any warranty or guarantee of performance. Supratec assumes no obligation or liability for the information contained herein. The quality of Supratec products is only guaranteed under our conditions of sale.

