



Supratec HP 2200 Ultra-filtration Membrane Cassette

With Hollow Fiber Membrane - PVDF

Product Data Sheet

Features

The Supratec HP 2200 pressurized Ultra-filtration Membrane module is a new design of hollow fiber membranes. Supratec Membrane group manufactures this membrane product with more than 40 years of experience in the field of water and wastewater treatment and more than 20 years of knowhow in membrane manufacturing.

This product is made of proprietary polyvinylidene fluoride (PVDF) ultra-filtration membrane with a nominal pore size of 0.03 µm. This high-flux membrane is used for removal of macro-molecules, concentration of organic solutes, microbial and particle removal and water and wastewater treatment. This product is made of strong and durable hollow fibers without any breakage and is available in different configurations and designs and may be customized to meet customer requirements. Features include:

- **Very High Flux**

The HP 2200 membrane used in Supratec module has exceptionally high sustainable fluxes requiring less square meter than other competitors.

- **Applicable to Wide Range of Feed Water Quality**

The HP 2200 Membrane Cassette utilizes a very tolerant membrane and a robust product design that allows using it for a wide range of applications and variable feed water quality.

- **Easy to Clean**

Supratec hollow fiber product is manufactured with proprietary hydrophilic PVDF membranes with anti-fouling characteristics. This membrane is stable, flexible, and easy to clean. The special patented aeration system makes the HP 2200 easy to clean with lowest energy consumption in high solid applications.

Product Specifications

Model	Supratec HP 2200 Pressurized Ultra-filtration Membrane Module
Membrane surface properties	Non-ionic and hydrophilic
Membrane type	Proprietary PVDF
Membrane permeability(Clean water)	1,500 lmh/bar
Nominal membrane pore size	0.03 µm



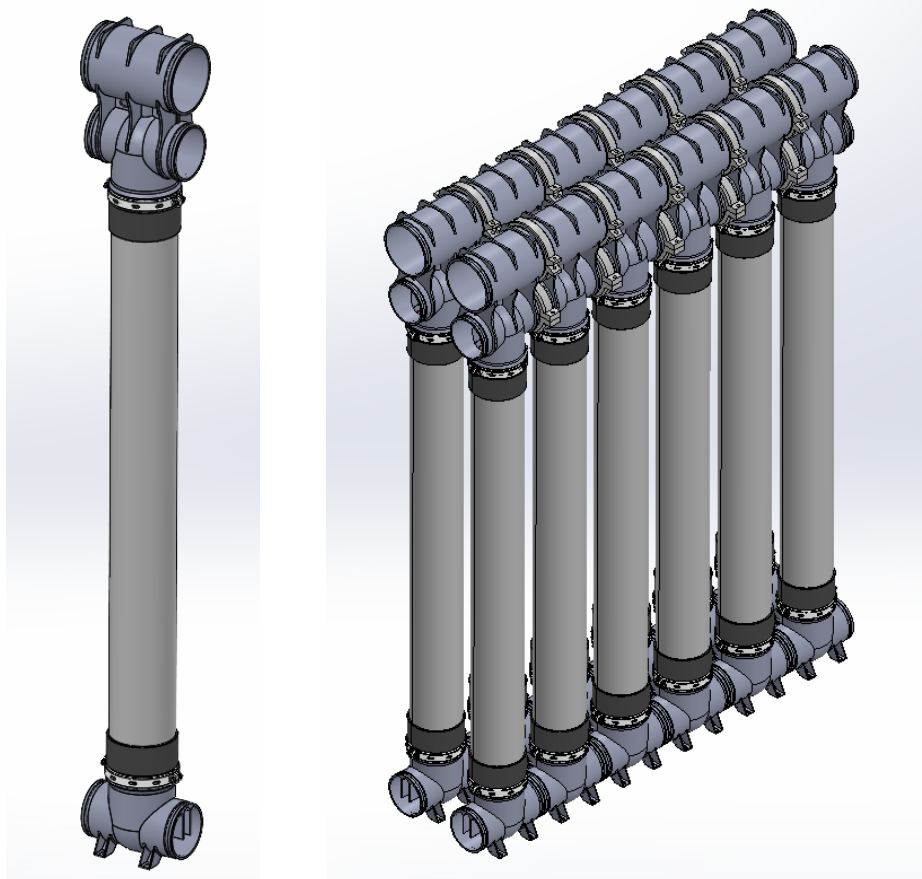


**Design
Information**

Membrane area per module	73 m ²
Number of modules	up to 12pcs(can be changed according to requirement) per row
Solid tolerance	1500 mg/l
Dimension	936*830*2600mm
Back flushable	Yes
Maximum Pressure (water):	3.0 bar @ 40° C) or less
Maximum operation Transmembrane Pressure:	1 bar
Maximum Backpulse Transmembrane pressure	0.6 bar
Maximum Air Scour Rate per module:	16 Nm ³ /hr
Typical operation Air Scour Rate per module:	12 Nm ³ /hr
Flux rate (MBR application)	30 –90 l/m ² ·h
Support	PET
Dry Module Weight	60 kg

Figure 1

Structure and Dimension of Supratec HP2200 Pressurized UF Membrane module/rack





Operating Specifications

Maximum operating temperature	40°C (104 °F)
Typical operating pressure (water)	200 – 500 mbar
Cleaning pH Range	2.0 – 11.0
Cleaning period	1 or 2 times/year
Max Chlorine Tolerance	Up to 1,500 ppm as NaClO
Lifetime Chlorine Tolerance	1000,000 ppm.hr as NaClO
Operating Chlorine Tolerance	< 2 ppm

Notes

Permeate connection diameter is inner diameter.
Shipping weight depends on packing material and quantity shipped.
Product Options: Standard is grounding mounted with feet, suspension and lifting is optional;

Storage and Protection

Supratec UF Membrane Cassette should be stored in proper environment. Once the modules come in contact with water or put in use, they should never be stored dry. Typically for long-term shutdown (>7 days), the modules should be cleaned and immersed in proper solution. All cleaning, storage and operational procedures should be based on actual O&M manual provided by Supratec.

Service and Technical Support

Supratec provides a full range of products of different sizes. The design information provided is for the most common product and Supratec should be consulted for other sizes and requirements. Supratec has an experienced team available to answer questions and provide reasonable technical support.

For more information:

Germany: +49 (0) 6761 967538-10
China: +86 (0) 21 31169858
France: +33 (0) 172879790
Netherlands: +31 (0) 416 348090
Hungary: +36 304911474

Notice: No freedom from infringement of any patent owned by Supratec Membrane Group or an affiliated company is to be inferred. The information and data contained in this document are based on our general experience and are believed to be accurate and reliable. But this information does not imply any warranty or guarantee of performance. Supratec assumes no obligation or liability for the information contained herein. The quality of Supratec products is only guaranteed under our conditions of sale.

